

El Paso Stripper Company

A Subsidiary of Star Instruments, Inc.

Manufacturers of the El Paso Stripper for VOC & Other Industrial Applications

Expanding on the original El Paso Stripper, we are now offering additional capability for our TCEQ approved stripper. Automation, loss-of-sample, loss-of-carrier, and provision of sampling systems consistent with cooling tower applications, are provided. The chamber exchange has been simplified & total installation and maintenance contracts are now available.

Features

- TCEQ Approved Design
- Quick-Release Stripping Chamber
- Optional Multi-Unit Bank
- Optional Loss of Sample Alarm
- Optional Loss of Carrier Alarm

Simplified Maintenance

With a service contract, maintaining your stripper is easy and economical. This important service is crucial to minimizing down-time. Our Chamber Exchange Maintenance Program provides pickup of the contaminated chamber and immediate provision of an exchanged chamber, cleaned to TCEQ specifications. This allows uninterrupted service (95% "up-time") with dual units.



When the stripping chamber requires cleaning, simply flush, remove and place it in the provided shipping tube for pickup. Immediate substitution of a cleaned chamber assures continued operation.

All units delivered to you are thoroughly cleaned and certified to TCEQ standards. All required record keeping will be documented, archived, and available for future audit purposes.

Combined with a dual-chamber bank, the service plan can help you meet or exceed the "95% up-time" rule. The El Paso certified chamber exchange program is less than 30% of a plant's analyzer technician costing rate needed to perform the same operation (see proce-



(Model EPS-1)

Summary of Contamination Levels When TCEQ Cleaning Procedures Are Required

TCEQ Rule	El Paso Stripper Requirement
Zero Air Blank Check	Monitor stripping air flowing through an empty stripper with previously calibrated detector. If background exceeds 1.0 ppmv referenced to methane, thoroughly clean stripper. Record results.
Water Blank Check	Flow D.I. water through all sample lines & packed stripper. If background exceeds 1.0 ppmv referenced to methane, thoroughly clean stripper. Record results.

TCEQ Chamber Cleaning Rule

Chamber and beryl saddles to be cleaned with hot, soapy water, followed by 5 rinses of tap water, 5 rinses of distilled water, then baked off in an oven at 150°C for at least 1 hour. Chamber may be air-dried if available oven too small.

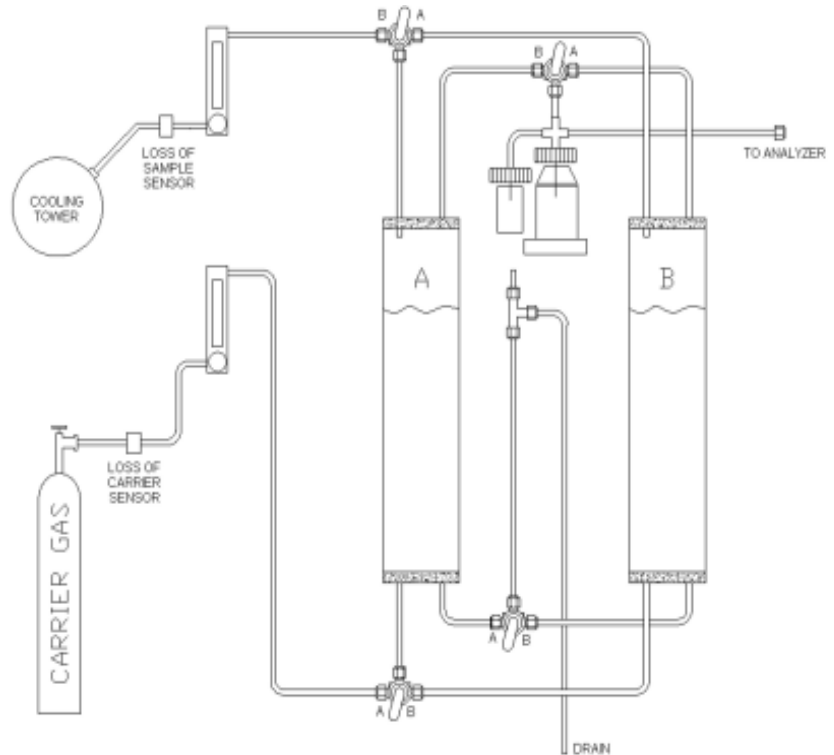
Note: No correction factors for offset may be used to compensate for a contaminated stripper, since it utilizes a reaction to completion, not an equilibrium gas stripping method.

Loss of Sample Flow / Loss of Carrier Sensors

Sensors embedded in the stripping unit will alert operators to loss of sample flow and loss of carrier situations so that they can be corrected immediately. Swift action is key to maximizing system performance and upholding the “95% up-time” rule.

Quick-Release Chamber

All El Paso Stripper Company gas strippers come with our standard Quick-Release Chamber. This allows the operator to replace the chamber in minutes with very little effort.



Dual-Chamber Bank

Dual-Chamber Bank

A dual-chamber bank is the most effective insurance against stripper failure. When one stripper becomes contaminated, a manifold is switched to operate the second unit while replacing the contaminated one.

Other Services

The El Paso Stripper Company supports site installation validation, including MDL testing (initial & annual) and all required systems suitability testing, when properly operated in conjunction with any VOC analyzer.